

Loads sustained by shaft and platform
and fixing points bottom frame

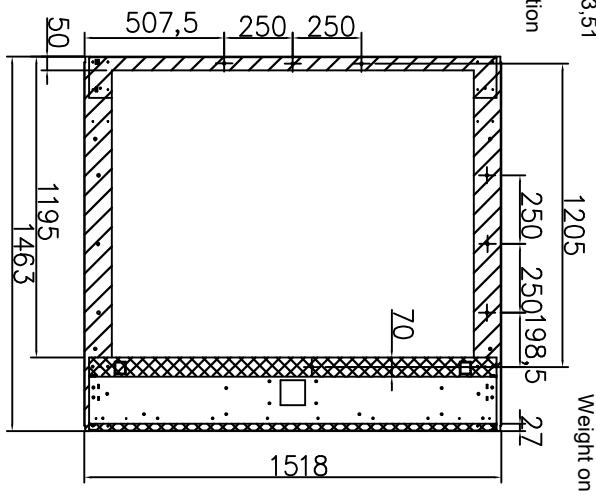
Recommended positioning of fixing points.
Loads per fixing point, $F=5600\text{ N}$



L section force: 10,22
KN
L section load: 33,51
KN/m²
Weight on L-section
area: 1022 kg



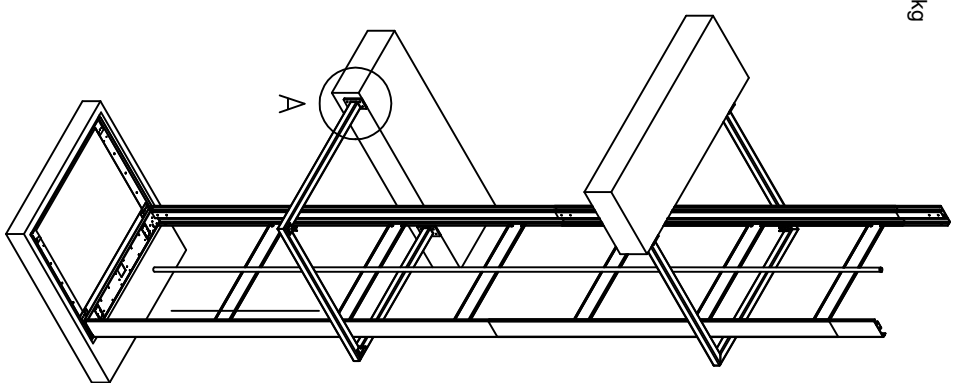
Mast force: 7,31 KN
Mast load: 58,95 KN/m²
Weight on mast area: 731 kg



Scale: 1:20

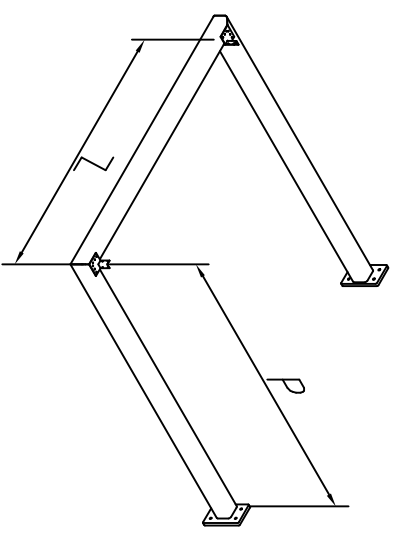
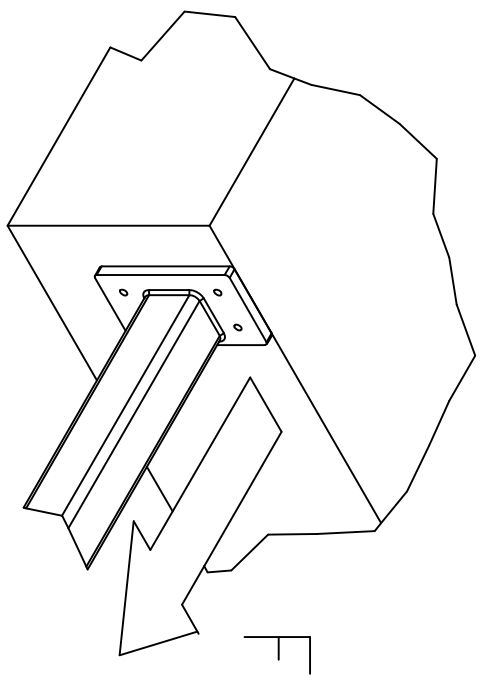
Total weight of the lift equipment
(including rated load): 1803 kg

Free height of the lift shaft may not exceed 2.5 m.
Distance between two support brackets or between
ground and support bracket may not exceed 5.0 m.



General view

A (1 : 5)



U-bracket				
Open side	QTY	Reinforced	Z	P
B/D	2	true	1560	1540